

**Modular Cooking Range Line
 thermaline 85 - 40 lt Well Freestanding
 Electric Pasta Cooker, 1 Side with
 Backsplash**

ITEM # _____

MODEL # _____

NAME # _____

SIS # _____

AIA # _____



588627 40-lt electric Pasta Cooker, one-side
 (MBKEGBDDAO) operated with backsplash

Short Form Specification

Item No. _____

Unit constructed according to DIN 18860_2 with 20 mm drop nose top and 70 mm recessed plinth. Internal frame for heavy duty sturdiness in stainless steel. 2 mm top in 1.4301 (AISI 304). Flat surface construction, easily cleanable. THERMODUL connection system enables seamless worktop when units are connected and avoids soil penetrating. Appliance which can also be used to cook noodles of every kind, rice, dumplings and vegetables. Water basin in 1.4435 (AISI 316L) stainless steel, with automatic constant water level re-fill and water temperature regulation via sensors. Integrated drip tray to drain baskets. Compatible with automatic basket lifting system to facilitate lifting operations. Safety systems and automatic low-water level shut-off protect against overheating. All-round basin raised edges to protect against soil infiltration. Standby function saves energy and quickly recovers maximum power. Metal knobs with embedded hygienic silicon "soft" grip enable easier handling and cleaning. IPX5 water resistant certification.

Configuration: Freestanding, one side operated with backsplash.

Main Features

- All major components may be easily accessed from the front.
- THERMODUL connection system creates a seamless work top when units are connected to each other thus avoiding soil penetrating vital components and facilitating the removal of units in case of replacement or service.
- Metal knobs with embedded hygienic silicon "soft" grip for easier handling and cleaning. The special design of the controls prevent infiltration of liquids or soil into vital components.
- Constant water level refill.
- Automatic low-water level shut-off: no accidental over-heating.
- Provided with integrated drip zone on which baskets can be placed for draining purposes.
- In addition to cooking pasta, the appliance can be used for noodles of every kind, rice, dumplings and vegetables.
- IPX5 water resistance certification.
- Easy to clean basin with rounded corners.
- Raised edge all around the well to protect from infiltration of dirt from worktop.
- Safety systems protect against overtemperature and can be manually reset.
- Automatic two-speed water refill regulated by water level sensor at maximum or minimum volume.
- Water temperature controlled by electronic sensor and can be selected as either temperature or power levels.
- Possibility of food re-generation thanks to electronic temperature control.

Construction

- 2 mm top in 1.4301 (AISI 304).
- Unit constructed according to DIN 18860_2 with 20 mm drop nose top and 70 mm recessed plinth.
- Flat surface construction with minimal hidden areas to easily clean all surfaces
- Water basin in 1.4435 (AISI 316L) stainless steel is seamlessly welded into the top of the appliance.
- Internal frame for heavy duty sturdiness in stainless steel.

Sustainability

- Standby function for energy saving and fast recovery of maximum power.

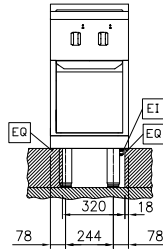
Optional Accessories

- Connecting rail kit for appliances with backsplash, 850mm PNC 912498
- Portioning shelf, 400mm width PNC 912522
- Portioning shelf, 400mm width PNC 912552
- Folding shelf, 300x850mm PNC 912579
- Folding shelf, 400x850mm PNC 912580
- Fixed side shelf, 200x850mm PNC 912586
- Fixed side shelf, 300x850mm PNC 912587

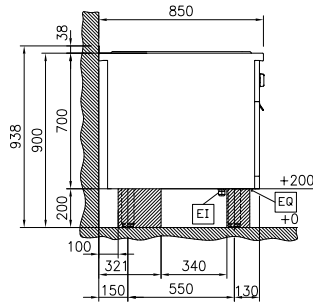
APPROVAL: _____

- | | | | | |
|--|------------|--------------------------|--|--------------------------|
| • Fixed side shelf, 400x850mm | PNC 912588 | <input type="checkbox"/> | • Stainless steel side panel, 850x700mm, PNC 913686 | <input type="checkbox"/> |
| • Stainless steel front kicking strip, 400mm width | PNC 912630 | <input type="checkbox"/> | flush-fitting (it should only be used against the wall, against a niche and in between Electrolux Professional thermaline and ProThermetic appliances and external appliances - provided that these have at least the same dimensions) | |
| • Stainless steel side kicking strip left and right, wall mounted, 850mm width | PNC 912659 | <input type="checkbox"/> | | |
| • Stainless steel side kicking strip left and right, back-to-back, 1700mm width | PNC 912662 | <input type="checkbox"/> | | |
| • Stainless steel plinth, against wall, 400mm width | PNC 912878 | <input type="checkbox"/> | | |
| • Stainless steel side panel, 850x700mm, right side, against wall | PNC 913003 | <input type="checkbox"/> | | |
| • Stainless steel side panel, 850x700mm, left side, against wall | PNC 913004 | <input type="checkbox"/> | | |
| • Back panel, 400x700mm, for units with backsplash | PNC 913009 | <input type="checkbox"/> | | |
| • Endrail kit, flush-fitting, with backsplash, left | PNC 913115 | <input type="checkbox"/> | | |
| • Endrail kit, flush-fitting, with backsplash, right | PNC 913116 | <input type="checkbox"/> | | |
| • 3 ergonomic baskets for 40lt pasta cooker | PNC 913124 | <input type="checkbox"/> | | |
| • 1 square basket for 40lt pasta cooker | PNC 913125 | <input type="checkbox"/> | | |
| • 1 ergonomic basket for 40lt pasta cooker | PNC 913126 | <input type="checkbox"/> | | |
| • False bottom for 40lt pasta cooker basket | PNC 913127 | <input type="checkbox"/> | | |
| • 3 baskets 1/3 GN for 40lt pasta cooker | PNC 913128 | <input type="checkbox"/> | | |
| • 2 baskets 1/2 GN for 40lt pasta cooker | PNC 913129 | <input type="checkbox"/> | | |
| • 3 round baskets for 40lt pasta cooker | PNC 913130 | <input type="checkbox"/> | | |
| • 6 round baskets for 40lt pasta cooker | PNC 913131 | <input type="checkbox"/> | | |
| • Grid support for round baskets | PNC 913132 | <input type="checkbox"/> | | |
| • Support frame for 6 round baskets | PNC 913133 | <input type="checkbox"/> | | |
| • 1 basket 1/1 GN for 40lt pasta cooker | PNC 913134 | <input type="checkbox"/> | | |
| • Lid for 40lt pasta cooker | PNC 913149 | <input type="checkbox"/> | | |
| • Endrail kit (12.5mm) for thermaline 85 units with backsplash, left | PNC 913206 | <input type="checkbox"/> | | |
| • Endrail kit (12.5mm) for thermaline 85 units with backsplash, right | PNC 913207 | <input type="checkbox"/> | | |
| • U-clamping rail for back-to-back installations with backsplash | PNC 913226 | <input type="checkbox"/> | | |
| • Insert profile, d=850mm | PNC 913231 | <input type="checkbox"/> | | |
| • Energy optimizer kit 18A - factory fitted | PNC 913245 | <input type="checkbox"/> | | |
| • Side reinforced panel only in combination with side shelf, for against the wall installations, right | PNC 913261 | <input type="checkbox"/> | | |
| • Side reinforced panel only in combination with side shelf, for against the wall installations, left | PNC 913262 | <input type="checkbox"/> | | |
| • Additional wall mounting fixation - US | PNC 913640 | <input type="checkbox"/> | | |
| • Stainless steel lower side panel (12,5mm), 850x300mm, left side, wall mounted | PNC 913641 | <input type="checkbox"/> | | |
| • Stainless steel lower side panel (12,5mm), 850x300mm, right side, wall mounted | PNC 913642 | <input type="checkbox"/> | | |
| • Wall mounting kit for units - TL85/90 - Factory Fitted (H=700) | PNC 913655 | <input type="checkbox"/> | | |
| • Filter W=400mm | PNC 913663 | <input type="checkbox"/> | | |
| • Stainless steel dividing panel, 850x700mm, (it should only be used between Electrolux Professional thermaline Modular 85 and thermaline C85) | PNC 913670 | <input type="checkbox"/> | | |

Front

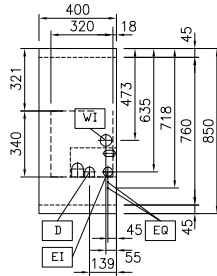


Side



- D = Drain
- DO = Overflow drain pipe
- EI = Electrical inlet (power)
- EQ = Equipotential screw
- WI = Water inlet

Top



Electric

Supply voltage:

588627 (MBKEGBDDAO) 400 V/3N ph/50/60 Hz

Electrical power max.:

ISO 9001; ISO 14001 kW

Total Watts:

ISO 9001; ISO 14001 kW

Water:

Incoming Cold/hot Water line size:

3/4"

Drain line size:

1"

Key Information:

Configuration:	On Base;One-Side Operated
Number of wells:	1
Usable well dimensions (width):	300 mm
Usable well dimensions (height):	320 mm
Usable well dimensions (depth):	515 mm
Well capacity:	38 lt MIN; 40 lt MAX
Thermostat Range:	40 °C MIN; 90 °C MAX
External dimensions, Width:	400 mm
External dimensions, Depth:	850 mm
External dimensions, Height:	700 mm
Net weight:	65 kg

Sustainability

Current consumption: 14.4 Amps